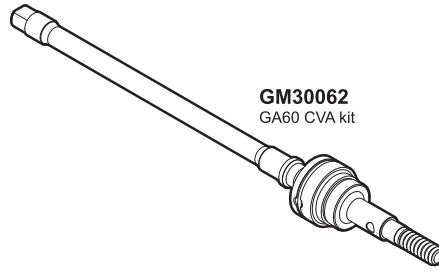
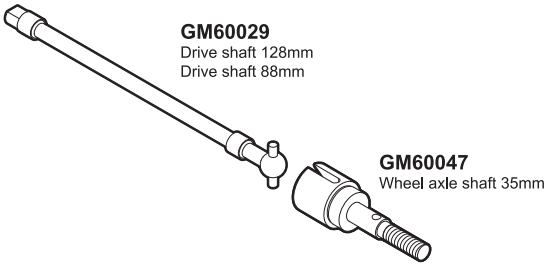


# GA60 CVA kit



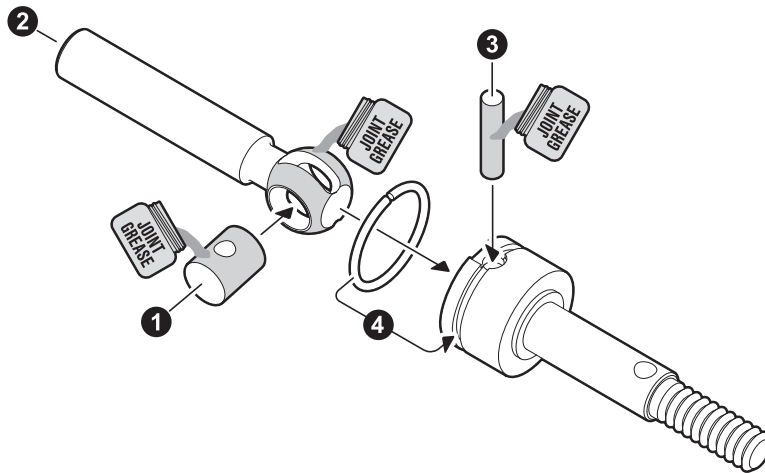
13 page

**6** **7**

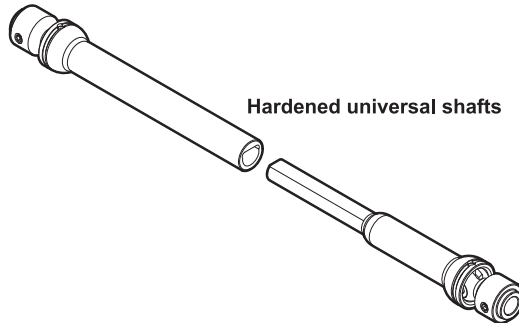
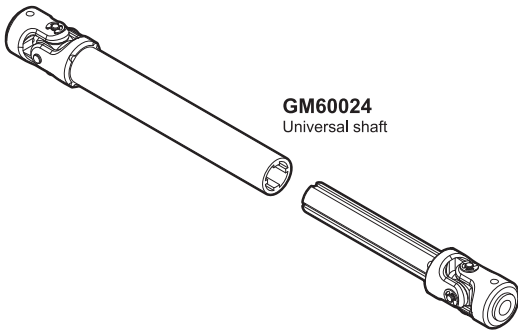
14 page

**8**

## CVA assembly



# Hardened universal shafts



38 page

**55**

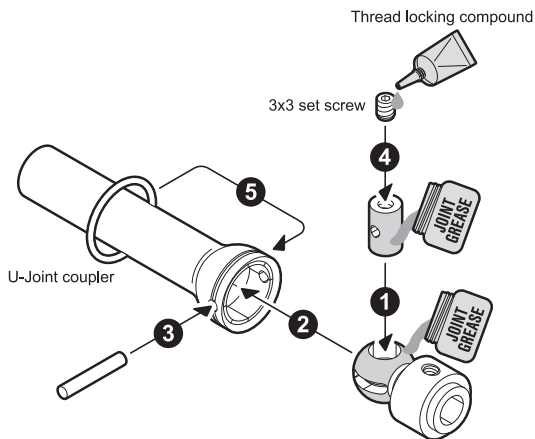
39 page

**56**

40 page

**57** **58**

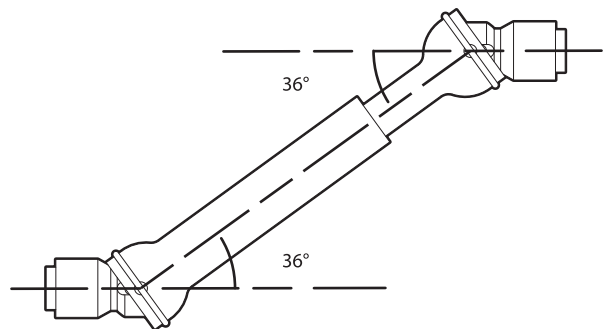
## Universal shaft assembly



Thread locking compound는 반드시 젤 타입을 사용하세요.  
액체타입을 사용 할 경우 다른 부분에 스며들어 유니버설 샤프트가 파손 될 수 있습니다.  
(Thread locking compound는 제품에 포함되어 있지 않습니다.)

You must use the gel type of thread locking compound.  
If you use the liquid type of thread locking compound,  
it might be damaged in the universal joint because the liquid will be permeated.  
(Thread locking compound is not included.)

## Caution

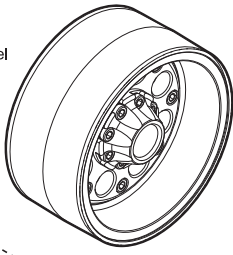


본 제품의 최대 유효각도는 36도 입니다.  
유니버설 샤프트의 유효각을 넘어설 만큼 차의 센터지상고를 높게 셋팅 할 경우 원활한 구동이 힘들며  
제품 파손의 우려가 있습니다.

The maximum angle of universal shaft is 36 degrees.  
If you setup the center of gravity higher than the maximum angle of universal shaft,  
it might be damaged in universal shaft.

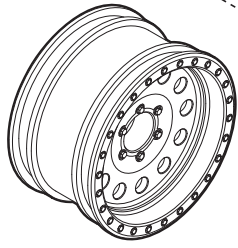
## 2.2inch GT03 wheels

**GM70234**  
2.2inch GT02 beadlock wheel



57 page

**88**



**GM70514**  
2.2inch GT03 wheel

## Aluminum adjustable motor plate



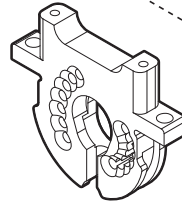
**GM60011**  
Motor clamp

**GM60008**  
Motor plate B



23 page

**27**



**GM30094**  
GR01 adjustable  
motor plate (Titanium gray)

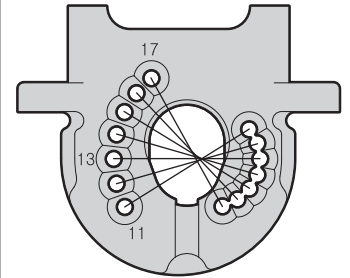
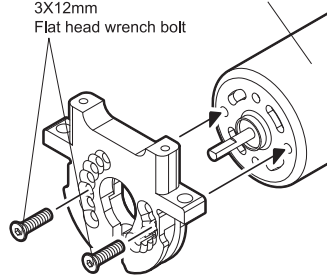


**GM60008**  
Motor plate A

## Motor plate assembly

**GMA0059**  
3X12mm  
Flat head wrench bolt

Motor



## Additional ball bearings



**GM60012**  
1150 Bushing

19 page

**18**



**GMA0165**  
Ball bearing 5x11x4mm

22 page

**24**

## Aluminum front shock spacers



**GM60013**  
Shock mount

44 page

**66**



**GM30122**  
GR01 Aluminum front shock mount (Titanium gray)

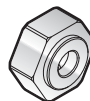
## Aluminum 12mm hex hubs



**GM60009**  
12mm wheel hubt

59 page

**90**



**GM30092**  
Aluminum 12mm Wheel Hub (5mm thick)

## GA60 brass steering knuckle bushings



**GM60023 3**

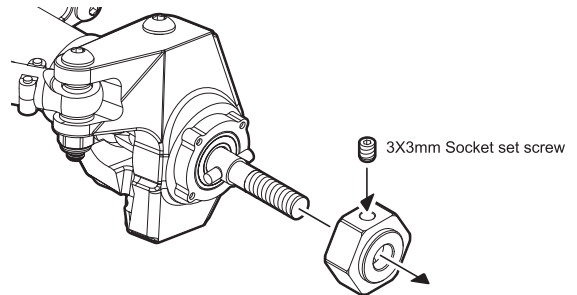
13 page

**7**



**GM30076**  
GA60 Brass steering knuckle bushing

## Hex hub assembly



## Aluminum balls



**GM60023 1**

24 page

**28**

**29**

30 page

**41**

46 page

**69**

**70**



**GM30120**  
Aluminum rod end ball  
5.8x7.3mm (Titanium gray)

25 page

**30**

**31**

43 page

**65**

## Aluminum balls



**GM0020008**  
Shock bushing

44 page

**66**



**GM30121**  
Aluminum shock upper ball  
6x8.5mm (Titanium gray)

45 page

**67**