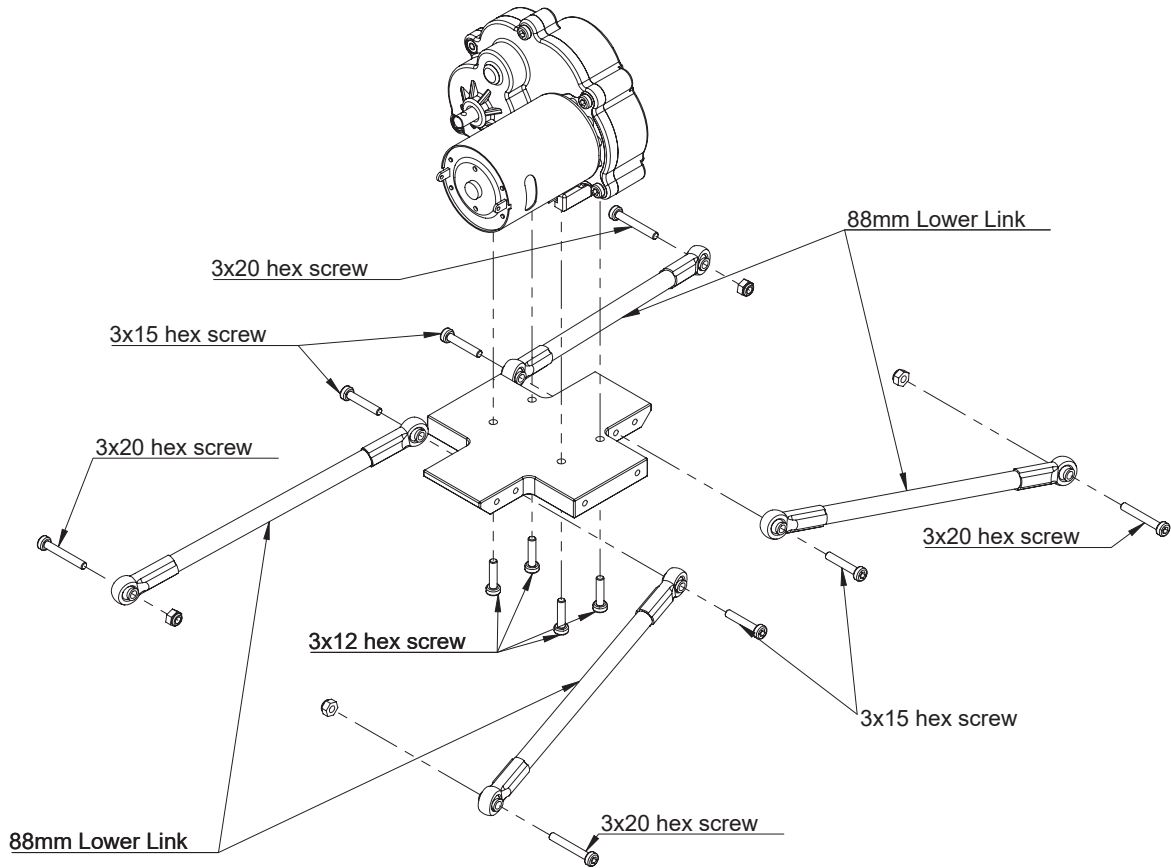
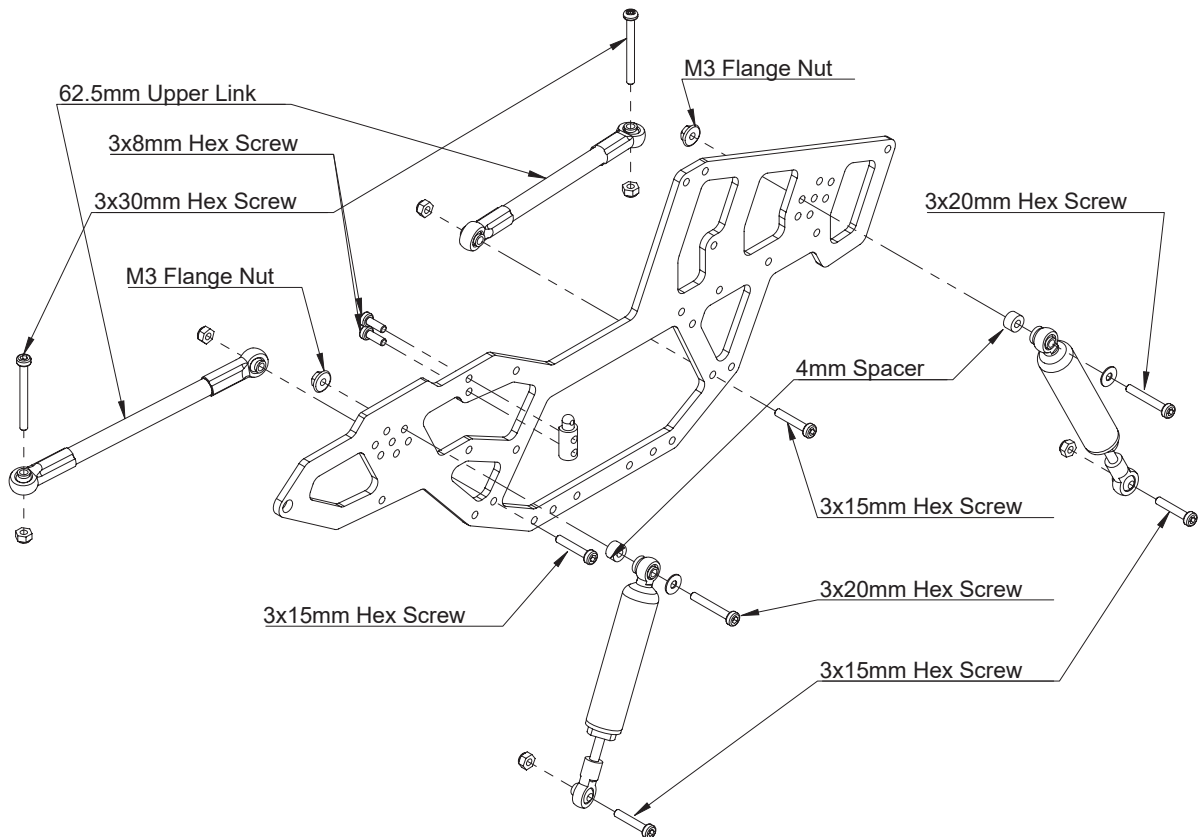


# INSTRUCTIONS

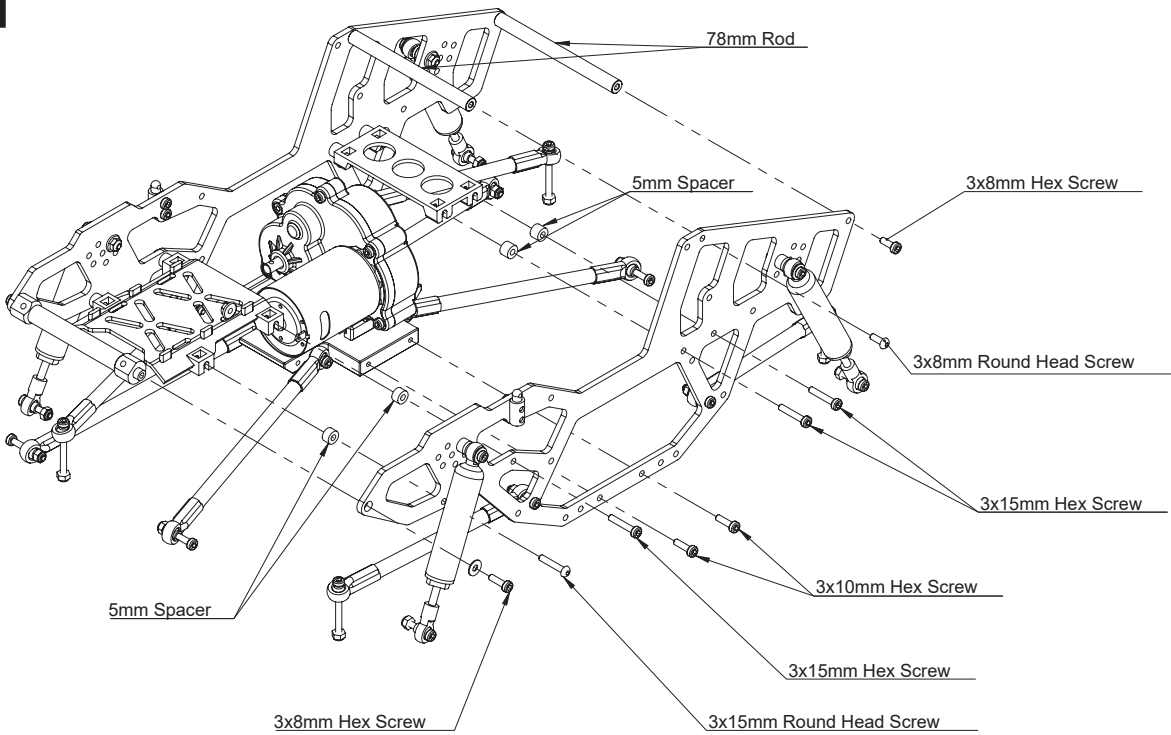
1



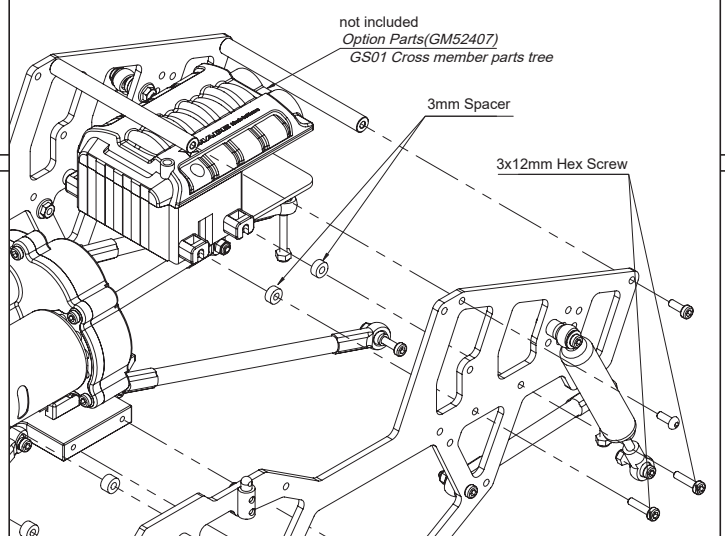
2



3



**OPTION PARTS**



4

