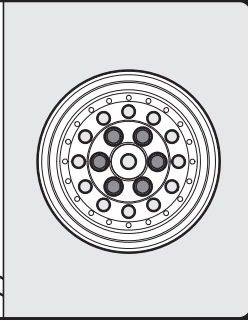
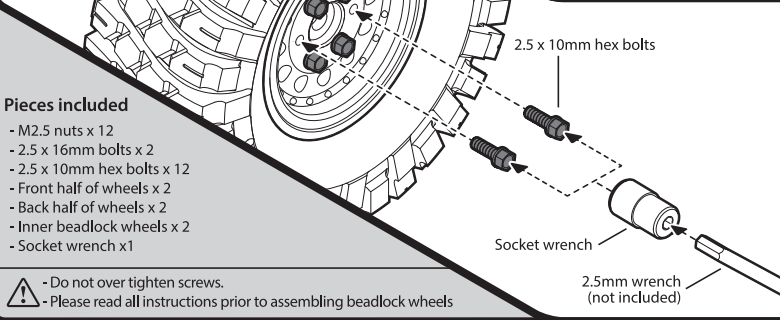
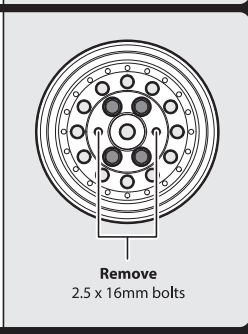
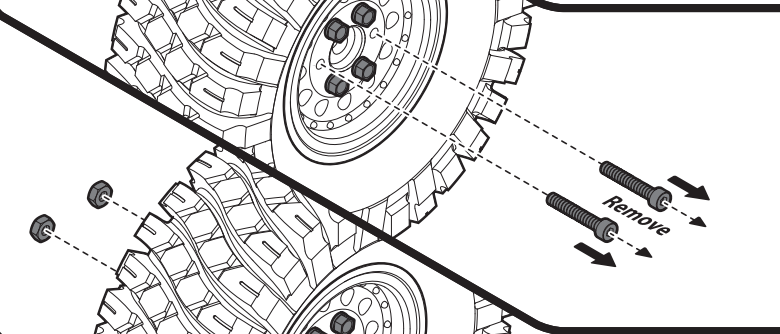
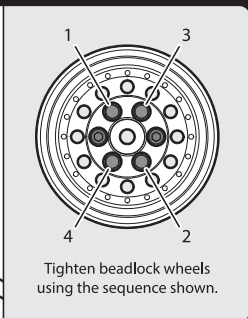
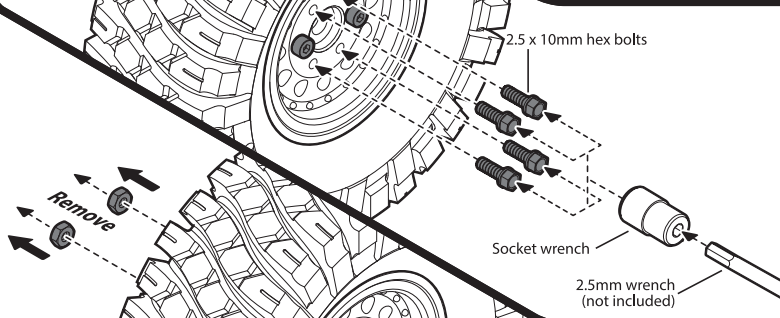
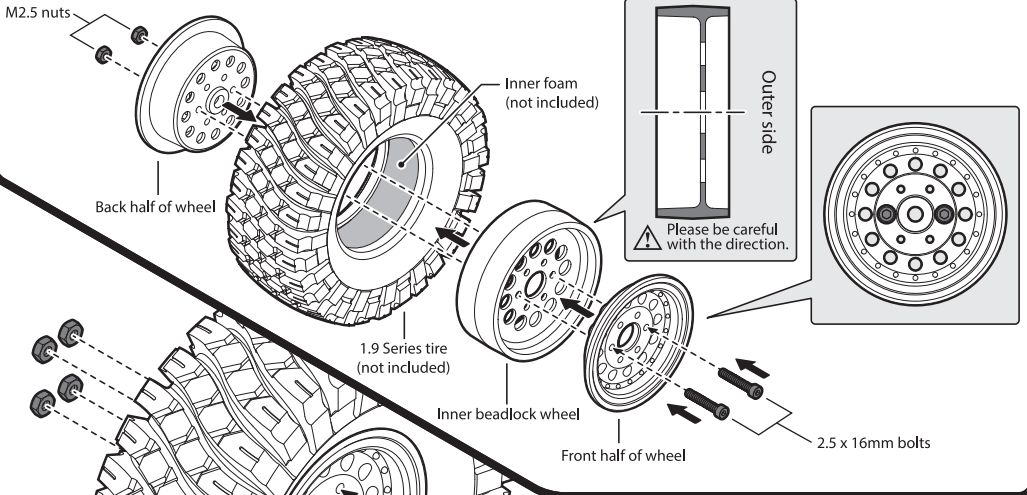


# NR01 1.9" beadlock wheel instructions



## Pieces included

- M2.5 nuts x 12
- 2.5 x 16mm bolts x 2
- 2.5 x 10mm hex bolts x 12
- Front half of wheels x 2
- Back half of wheels x 2
- Inner beadlock wheels x 2
- Socket wrench x 1

- Do not over tighten screws.
- Please read all instructions prior to assembling beadlock wheels